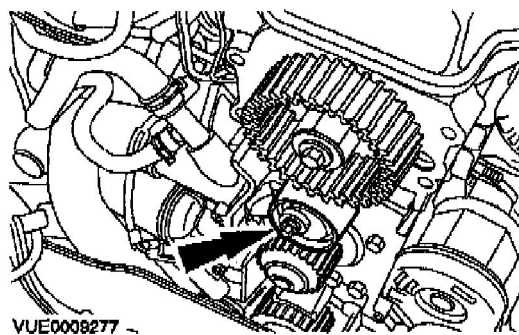


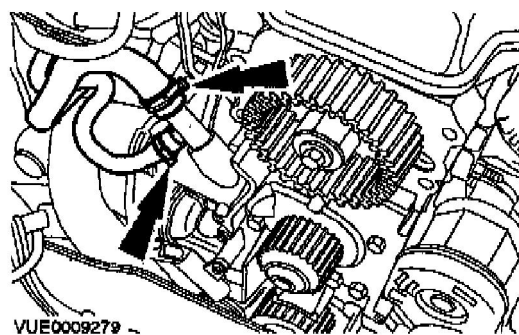
Water Pump: Service and Repair

Removal

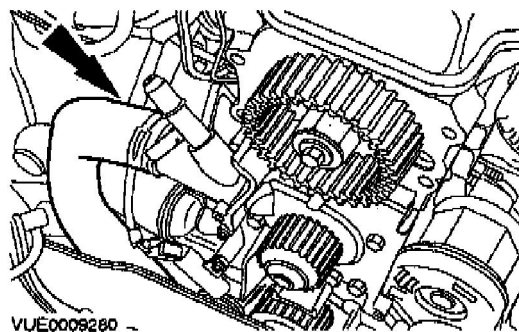
1. Drain the cooling system.
2. Remove the timing belt.



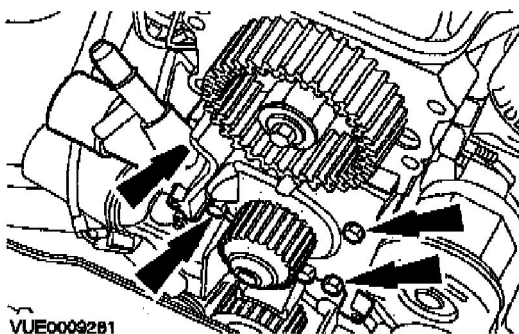
3. Remove the timing belt tensioner.



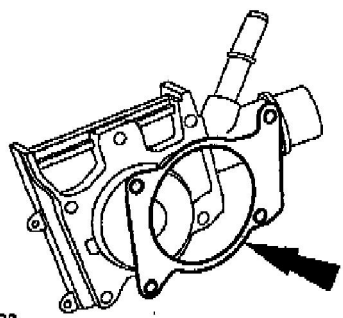
4. Disconnect the coolant hoses.



5. Disconnect the coolant hose.



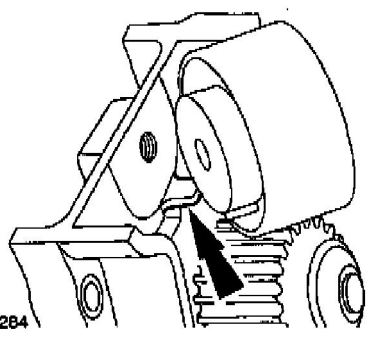
6. Remove the water pump.



VUE0009283

- 7. Remove and discard the water pump gasket.

Installation

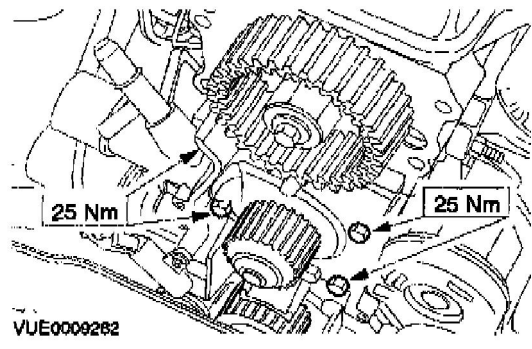


VUE0009284

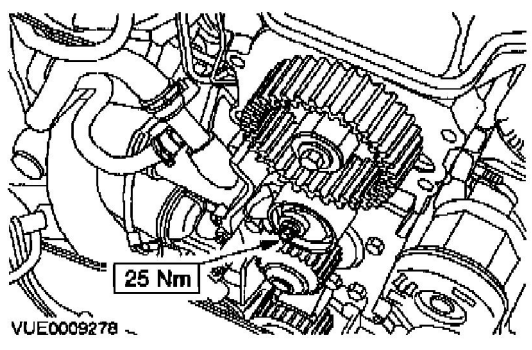
- 1. **NOTE:** Install a new water pump gasket.

NOTE: Make sure to locate the timing belt tensioner onto the water pump.

To install, reverse the removal procedure.



VUE0009282



VUE0009278

- 4. Fill the cooling system.